

## VT Vandal-Resistant Housing AVTPSC

Vandal-resistant indoor housing for Axis network cameras



- > Indoor installation
- > Sheet steel construction
- > Easy installation
- > Key lock

VT Vandal-Resistant Housing AVTPSC has been designed for surveillance applications in premises highly exposed to vandalism, such as parking garages, subway stations, prisons, police stations, shopping malls, supermarkets and similar facilities.

The housing is made of sheet steel, painted with epoxy-polyester powder and the front window is made of PMMA glass.

The housing is equipped with an internal bracket for camera attachment and adjustment. A key lock and a wide opening allows for easy installation and maintenance.

The cable outlet is made possible from the fixing base, from both sides (left or right) and from the 2 M20 cable glands on the rear.

Optionally, VT Vandal-Resistant Housing AVTPSC can be equipped with a heater. With this accessory the housing can be mounted in semi-outdoor environments, such as parking garages or station platforms.

Supported cameras are indoor models of AXIS P13 and AXIS Q16 Series, and AXIS Q1755 Network Camera.

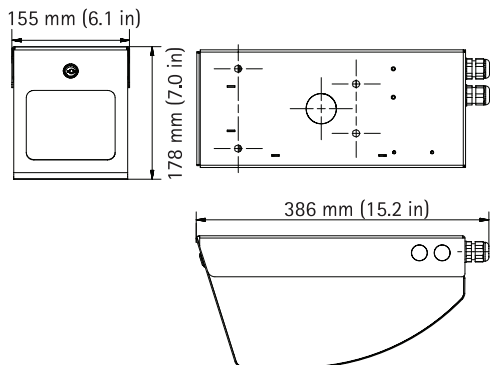


## Technical Specifications – VT Vandal-Resistant Housing AVTPSC

<b>Models</b>	VT Vandal-Resistant Housing AVTPSC
<b>General</b>	
<b>Supported cameras</b>	Indoor models of AXIS P13 and AXIS Q16, and AXIS Q1755
<b>Casing</b>	Color: White RAL 9002, Epoxy polyester powder painted, Sheet steel, 1.5 mm thick (0.06 in), PMMA glass 4 mm (0.15 in) thick, Key lock
<b>Environment</b>	Indoor, Ceiling mount
<b>Approvals</b>	EN 61000-6-3, EN 60065, EN 50130-4, EN 50102 IK08
<b>Dimensions</b>	178 x 155 x 354 mm (7.0 x 6.1 x 13.9 in)
<b>Weight</b>	3.5 kg (7.7 lb)
<b>Optional accessories</b>	Power supply (recommended): - In: 100 – 240 V AC, 50/60 Hz - Out: 12 V DC, max. 1 A Heater OAVTPSCH1 (optional) - Power: 12 V DC/24 V AC, 20 W - Operating conditions (On): 15 °C +/- 3 °C (59 °F) - Operating conditions (Off): 22 °C +/- 3 °C (71 °F)
<b>Warranty</b>	Axis 1-year warranty, see <a href="http://www.axis.com/warranty">www.axis.com/warranty</a>

More information is available at [www.axis.com](http://www.axis.com)

### Dimensions



### Optional accessories

1. Power Supply
2. Heater OAVTPSCH1

